

IN-280C



Electrical Characteristic

Rated Power	80W
Solar Panel	18V/90W
Lithium Battery	12V/50AH
Charging Time	6-8H
Discharging Time	>36H
Working Temperature	-25°C~+65°C
Switch Threshold	15LUX
Sensing Distance	≤12M

LED Parameters

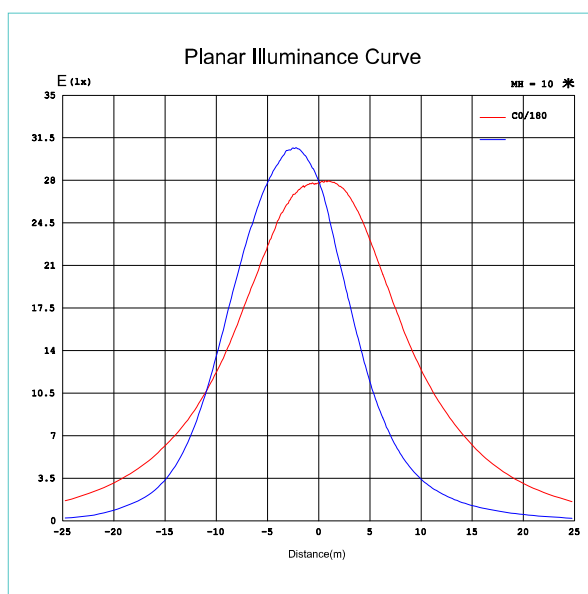
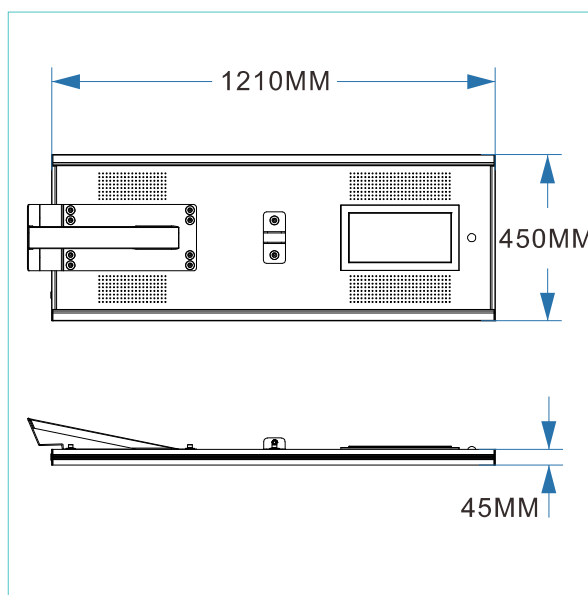
LED	84pcs
Lumen Flux (LM)	10400-1200 LM
Luminous Efficiency (LM/W)	130-150LM/W
Light Distribution	Batwing Type
Color Temperature (CCT)	2800-6500K

Mechanical Specification

Light Body Size	1210x450x45MM
Net Weight	20KG
Installation Height	8-10M
Pole Distance	24-30M

Packing Dimension

Packing Type	1pc/carton
Packing Size	1345x500x195MM
Gross Weight	22.5KG



Functions

- PIR Sensor
- Light Control/Time Control
- Bluetooth APP
- Pathway Indicator, IP Camera (Optional)