

Product Specification

— INL Series



INL series integrated solar street light, new structure,
new appearance, and new features bring you new experience.



PSC SOLAR UK

www.pscsolaruk.com

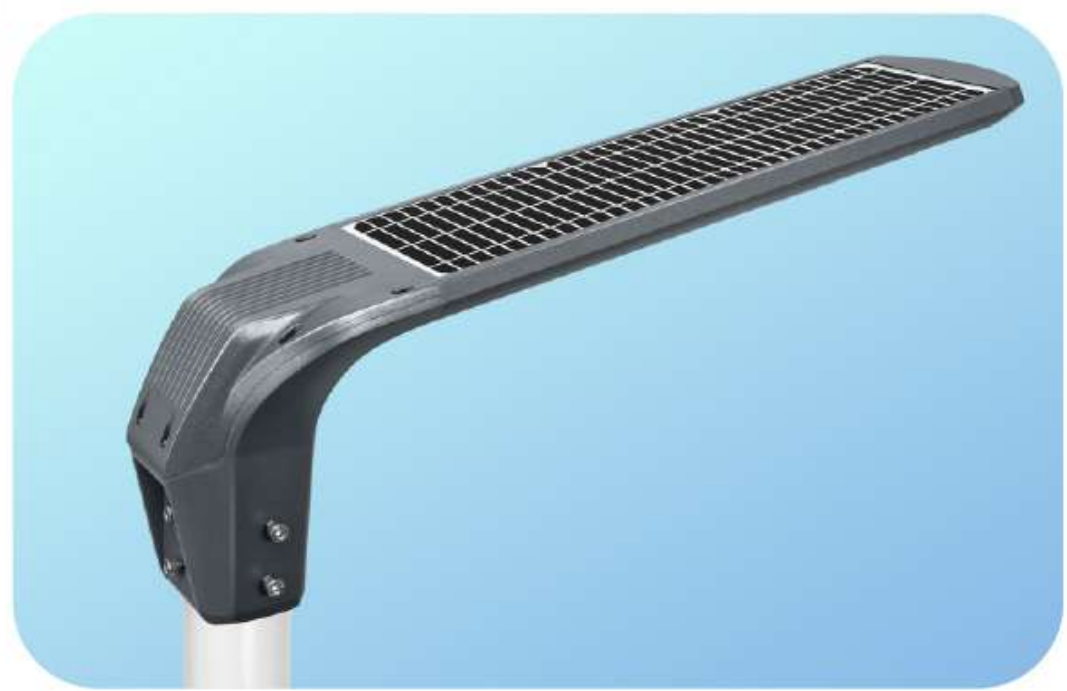
1. Integrated design, simple but grand style



PSC SOLAR UK

www.pscsolaruk.com

2.Hat socket installation, convenient and easy



PSC SOLAR UK

www.pscsolaruk.com

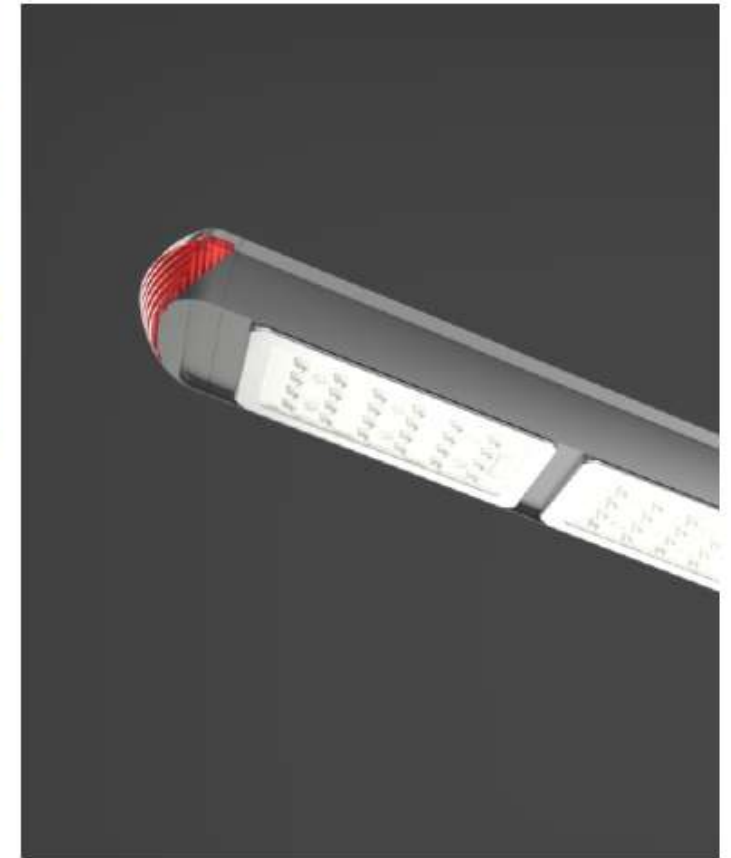
3.APP control, intelligent and efficient



PSC SOLAR UK

www.pscsolaruk.com

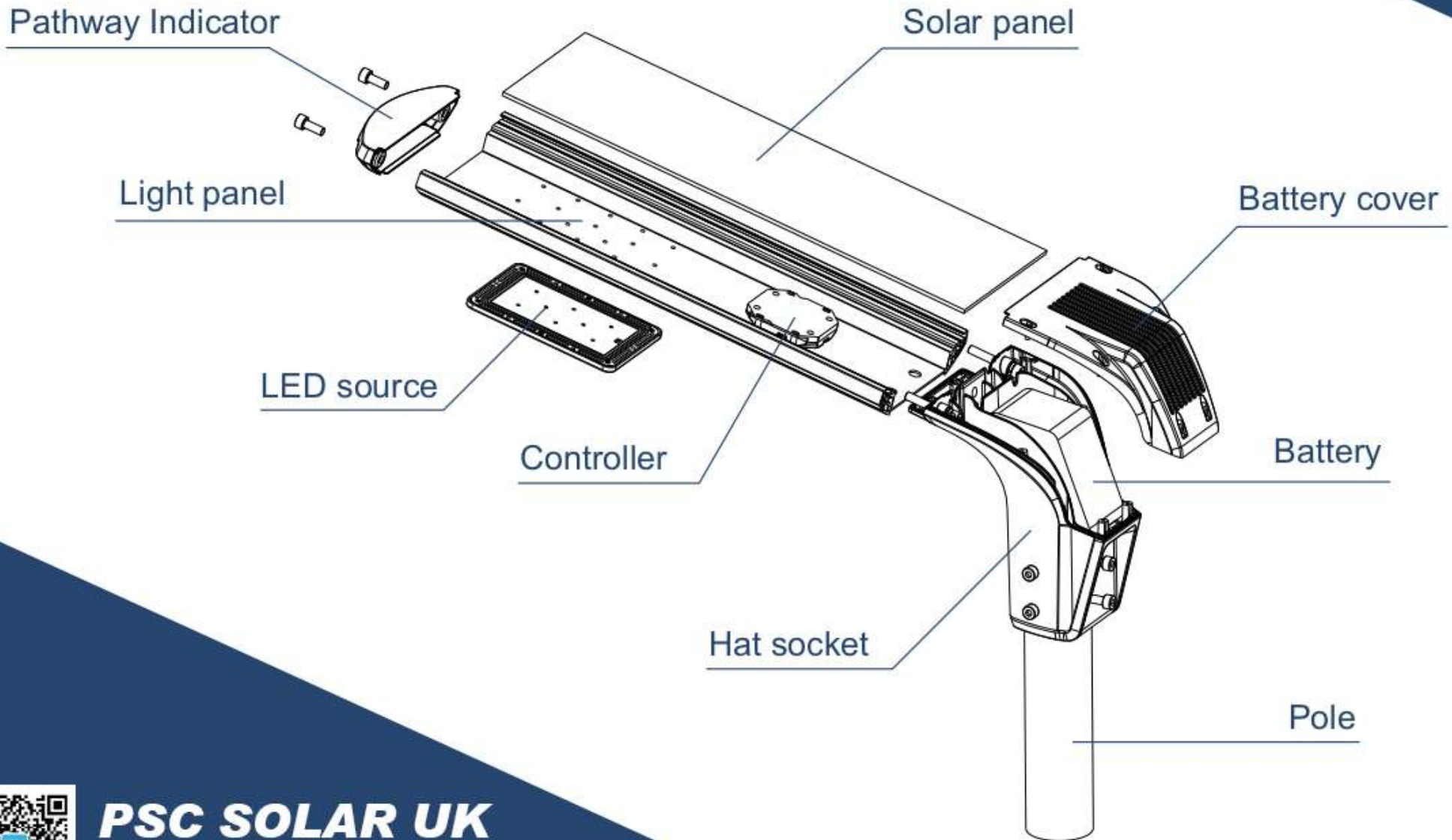
4.Pathway Indicator, Beautiful Warning Design



PSC SOLAR UK

www.pscsolaruk.com

5.Product Structure Diagram



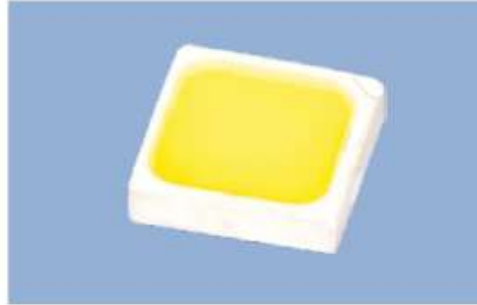
PSC SOLAR UK

www.pscsolaruk.com

6. Hardware components



Monocrystalline solar cells, photoelectric conversion efficiency up to 21%.



A-class LED chips , energy saving and more efficient.



Power lithium ion battery , cycle times more than 1500.



MPPT controller, higher charging efficiency.



Optical polarized light integrated lens, higher transmittance and safer.



Die-cast aluminum integrated molding, rust resistant and lighter.



7.Parameters/15W

Electrical Characteristic

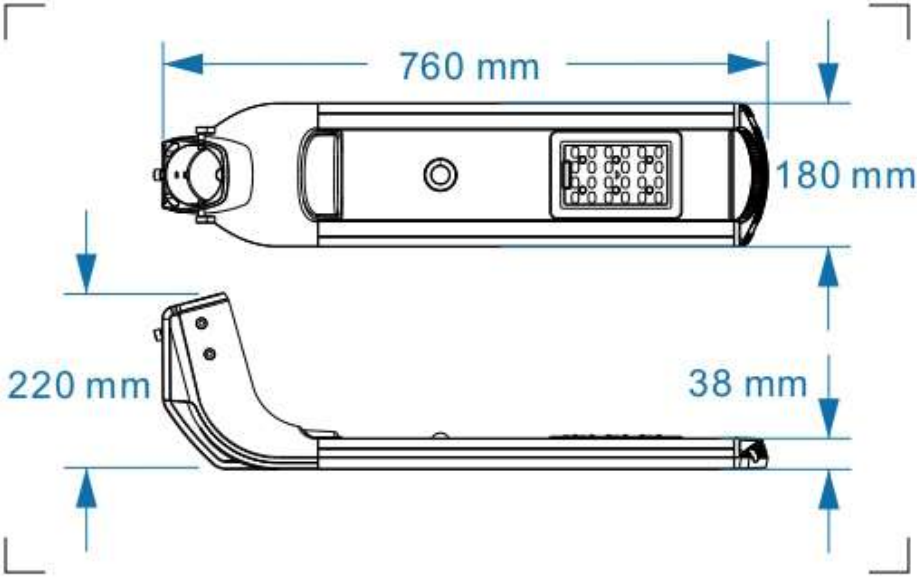
Rated Power	15W
Solar Panel Power	18V/15W
Battery Capacity	57.7WH
Charge Time	6-8H
Discharge Time	>36H
Operating Temperature	-25°C~+65°C
Switch Threshold	15LUX
Max Sensing Distance	≤12M

LED Parameters

LED Beads	24Units (3030)
Lumen flux	2100-2550LM
Luminous Efficiency	140-170LM/W
Light Distribution	Batwing Type
Color Temperature	2800-6500K

Mechanical Specification

Light Body Size	760*180*220MM
Net Weight	4.86KG
Installation Height	3-4M
Installation Distance	9-12M

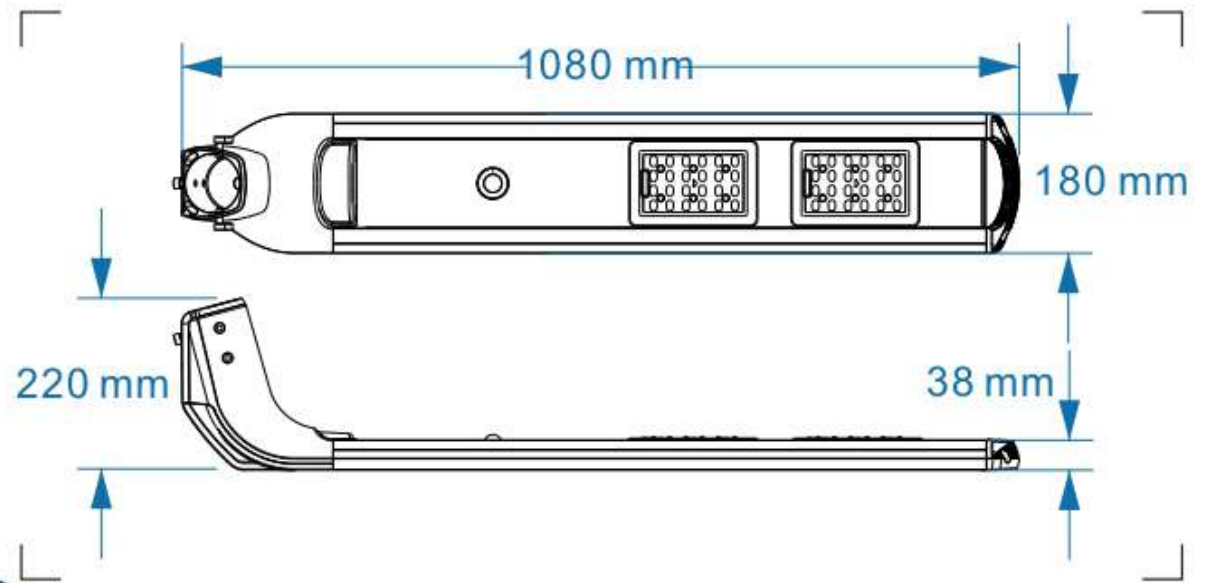


7.Parameters/20W

Electrical Characteristic	
Rated Power	20W
Solar Panel Power	18V/20W
Battery Capacity	115.4WH
Charge Time	6-8H
Discharge Time	>36H
Operating Temperature	-25°C~+65°C
Switch Threshold	15LUX
Max Sensing Distance	≤12M

LED Parameters	
LED Beads	48Units (3030)
Lumen flux	2800-3400LM
Luminous Efficiency	140-170LM/W
Light Distribution	Batwing Type
Color Temperature	2800-6500K

Mechanical Specification	
Light Body Size	1080*180*220MM
Net Weight	6.84KG
Installation Height	4-5M
Installation Distance	12-15M



PSC SOLAR UK

www.pscsolaruk.com

7.Parameters/30W

Electrical Characteristic

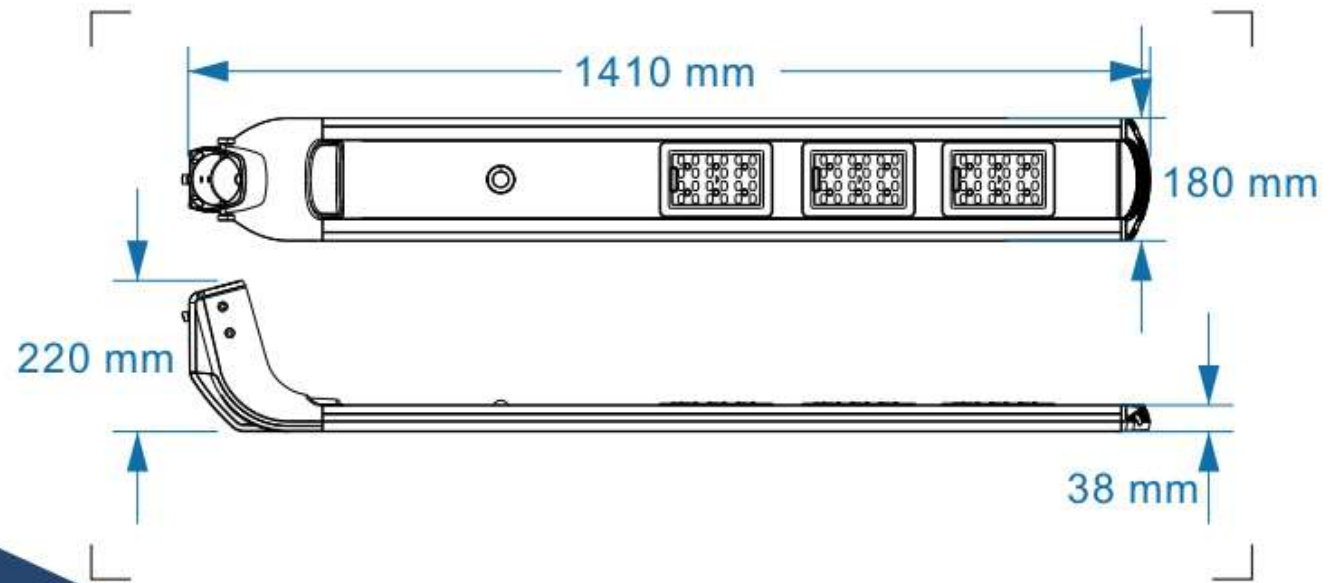
Rated Power	30W
Solar Panel Power	18V/30W
Battery Capacity	173.1WH
Charge Time	6-8H
Discharge Time	>36H
Operating Temperature	-25°C~+65°C
Switch Threshold	15LUX
Max Sensing Distance	≤12M

LED Parameters

LED Beads	72Units (3030)
Lumen flux	4200-5100LM
Luminous Efficiency	140-170LM/W
Light Distribution	Batwing Type
Color Temperature	2800-6500K

Mechanical Specification

Light Body Size	1410*180*220MM
Net Weight	8.52KG
Installation Height	5-6M
Installation Distance	15-18M



PSC SOLAR UK

www.pscsolaruk.com

7.Parameters/40W

Electrical Characteristic

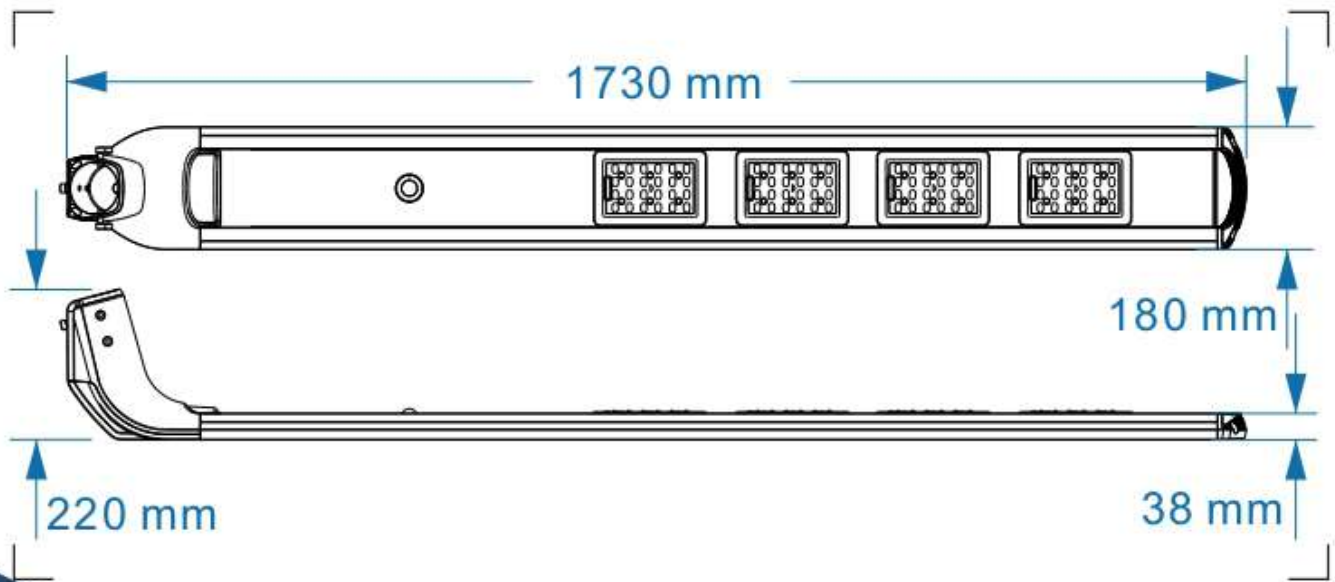
Rated Power	40W
Solar Panel Power	18V/40W
Battery Capacity	230.8WH
Charge Time	6-8H
Discharge Time	>36H
Operating Temperature	-25°C~+65°C
Switch Threshold	15LUX
Max Sensing Distance	≤12M

LED Parameters

LED Beads	96Units (3030)
Lumen flux	5600-6800LM
Luminous Efficiency	140-170LM/W
Light Distribution	Batwing Type
Color Temperature	2800-6500K

Mechanical Specification

Light Body Size	1730*180*220MM
Net Weight	10.28KG
Installation Height	6-7M
Installation Distance	18-21M



PSC SOLAR UK

www.pscsolaruk.com

7.Parameters/60W

Electrical Characteristic

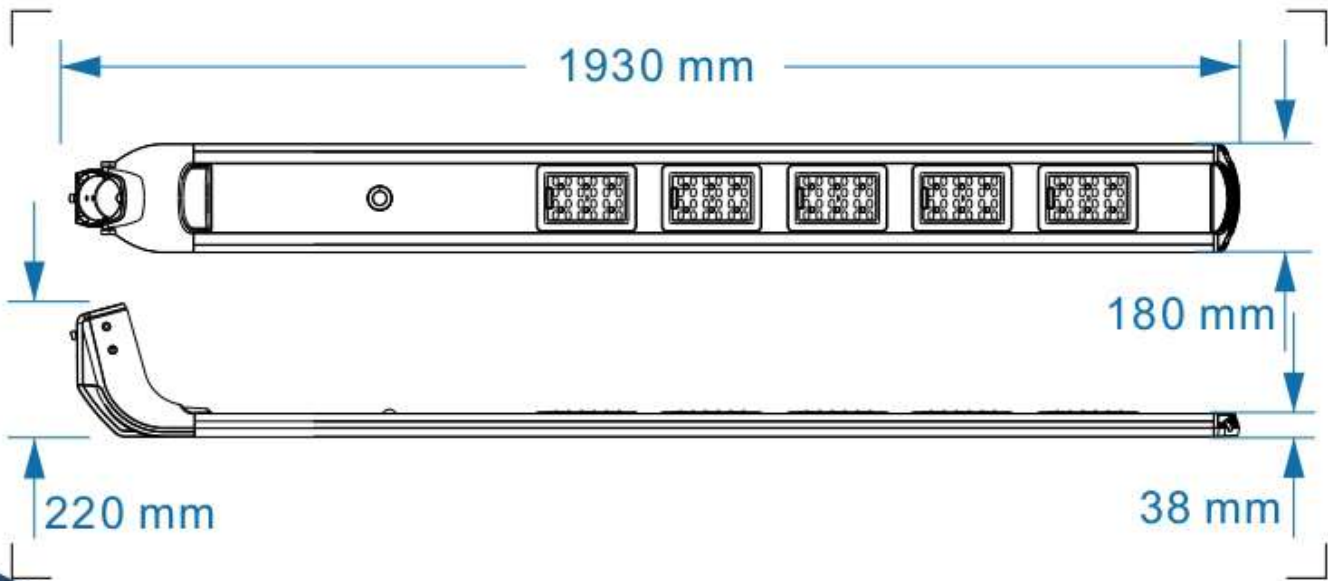
Rated Power	60W
Solar Panel Power	18V/48W
Battery Capacity	288.6WH
Charge Time	6-8H
Discharge Time	>36H
Operating Temperature	-25°C~+65°C
Switch Threshold	15LUX
Max Sensing Distance	≤12M

LED Parameters

LED Beads	120Units (3030)
Lumen flux	8400-10200LM
Luminous Efficiency	140-170LM/W
Light Distribution	Batwing Type
Color Temperature	2800-6500K

Mechanical Specification

Light Body Size	1930*180*220MM
Net Weight	12.0KG
Installation Height	7-9M
Installation Distance	22-25M



PSC SOLAR UK

www.pscsolaruk.com

8.Application



PSC SOLAR UK

This series of product are mainly used in provincial highways, county highways, township roads, park and communities, various squares and so on.



PSC SOLAR UK

www.pscsolaruk.com



9. Maintenance and Warranty

Maintenance

- (1). Regularly clean the solar panel from dirt spots, dusting or other kinds of soiled is suggested to assure the charging efficiency
- (2). Regular maintenance is suggested to keep the locking screws of pole are secured to the ground, and keep the pole clear from rust or corrosion

Warranty

Product Warranty: We provide 3 years warranty

Disclaimer Declaration:

- (1). The manufacturer shall not be responsible or liable for failure to perform all or any portion of this specification due to earthquake, flood, thunder or other natural hazards, and fire disaster which not caused by our products.
- (2). The manufacturer shall not be responsible for damage and loss caused by any unforeseen events such as theft, traffic accidents.
- (3). The manufacturer shall not be responsible for loss which not complied with this product manual.
- (4). The manufacturer shall not be responsible for loss which caused by use in conjunction with irrelevant our product.



PSC SOLAR UK

www.pscsolaruk.com