

1



XANTRA ADVANCED ONLINE INVERTER

1.5KVA & 2.5KVA

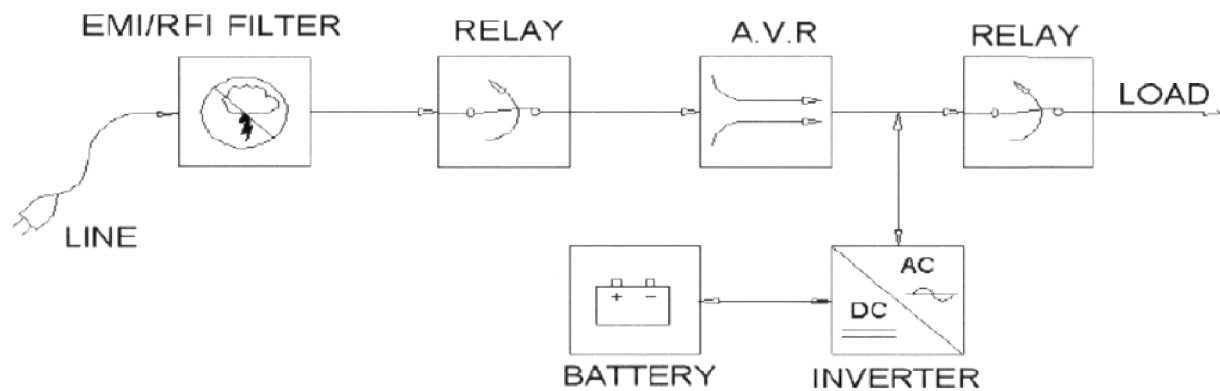
PSC SOLAR (UK)

SPECIFICATIONS

Appearance



System Diagram



MODEL		1.5KVA	2.5KVA
INPUT	Voltage (Vac)	150-285	
	Frequency (Hz)	50±5	
OUTPUT	Capacity(Va/Watts)	1500/1100	2500/2000
	Voltage(Vac)	230±10%	
	Frequency (Hz)	50±0.5% (Battery mode)	
	Waveform	Pure sine wave, THD≤3% (linear load)	
	Efficiency (DC-AC)	90%	
	Efficiency (AC-DC)	95%	
	TRANSFER TIME (ms)	<10	
	Overload	105% long time working, 105%~115% load for 30s >115%load for 3s	
BATTERY	Voltage (Vdc)	12V	12V x 2 = 24
	BATT TYPE	External	
	Charging current (A)	40A	50A
	BATT self-testing	Automatically Alarm and estimate Battery status in Battery abnormal status	
Other	Communication	RS232	
	Display	LCD Display indicates frequency, voltage load, Battery voltage, etc. LED indicates running status	
	Alarm	Overload, abnormal AC input, low battery UPS failure	
	Protection	Low battery, overload, over temperature, short circuit etc	
	Noise (dB)	<55	
	Protection class	IP31	
	Working temperature	-20~60°C (it needs derating if more than 40°C)	
	Relative Humidity	0~95%, no Condensation	
	Integrated AC/DC Breaker	Yes	
	Integrated AVR	Yes	